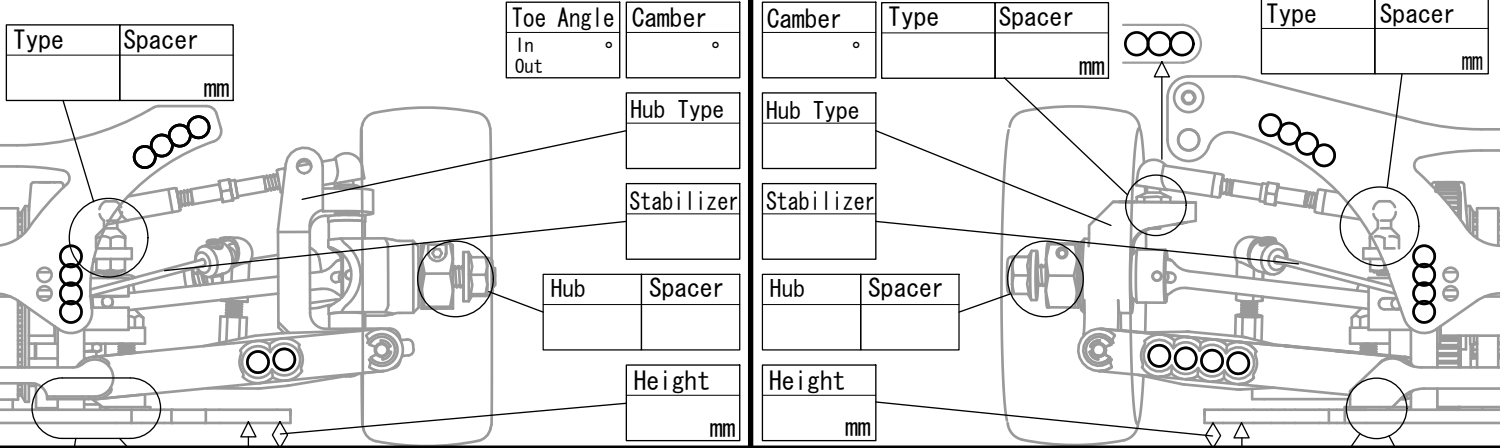


# Setup Sheet

# YM-34 Sill 2005 EDITION

Name 氏名 \_\_\_\_\_ Date 日付 \_\_\_\_\_ Track サーキット \_\_\_\_\_

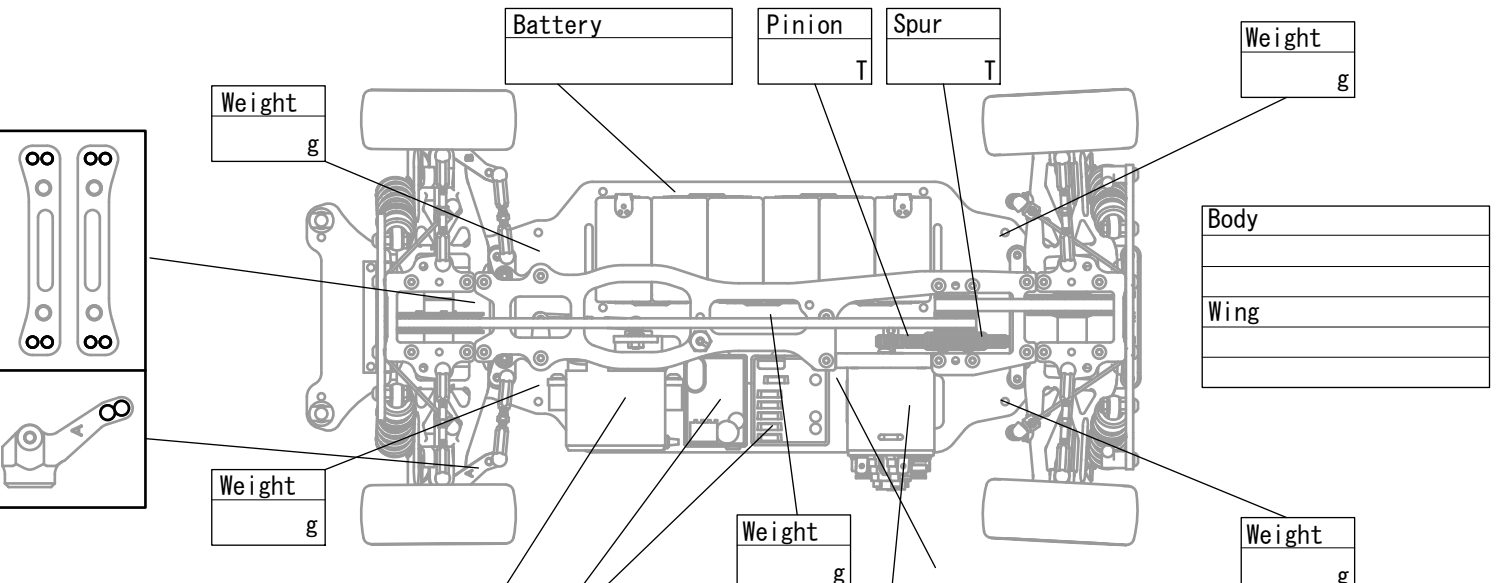
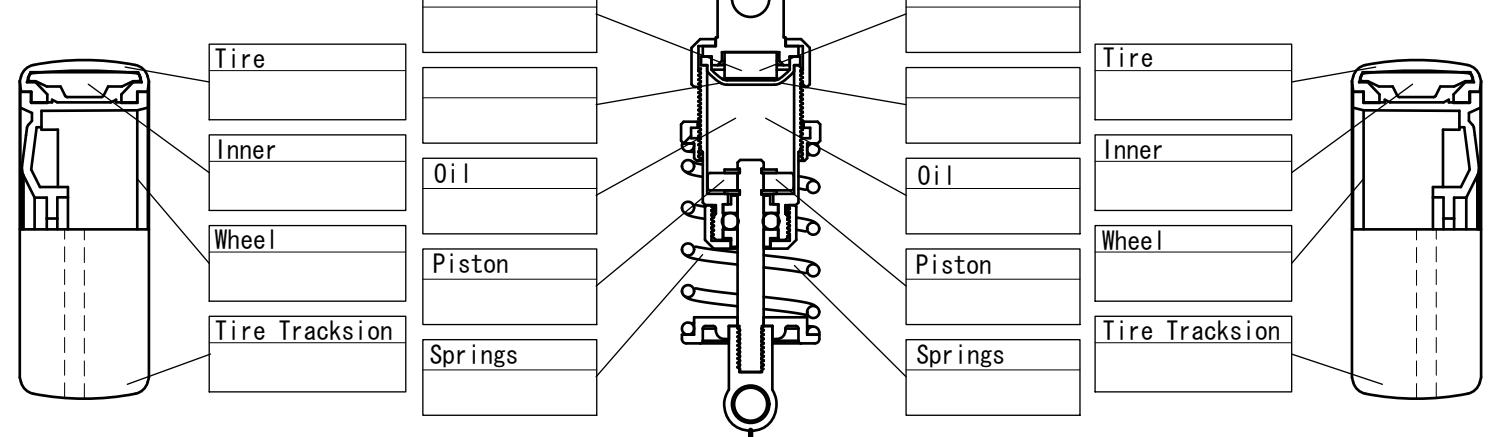
Air Temp 気温 \_\_\_\_\_ Humidity 湿度 \_\_\_\_\_ Track Temp 路面温度 \_\_\_\_\_ Track Condition 路面コンディション \_\_\_\_\_



Type	Spacer	mm	Toe Angle	Camber	Camber	Type	Spacer	mm	Type	Spacer	mm
			In	°	°						
			Out								

## Front

## Rear



Sus. Arm F. Sus. Braket R. Sus. Braket Stefnar	Servo Receiver ESC	Motor Turns Brushes Springs Timing	Weight g Body Wing Weight g Weight g Memo
---	--------------------------	--	--